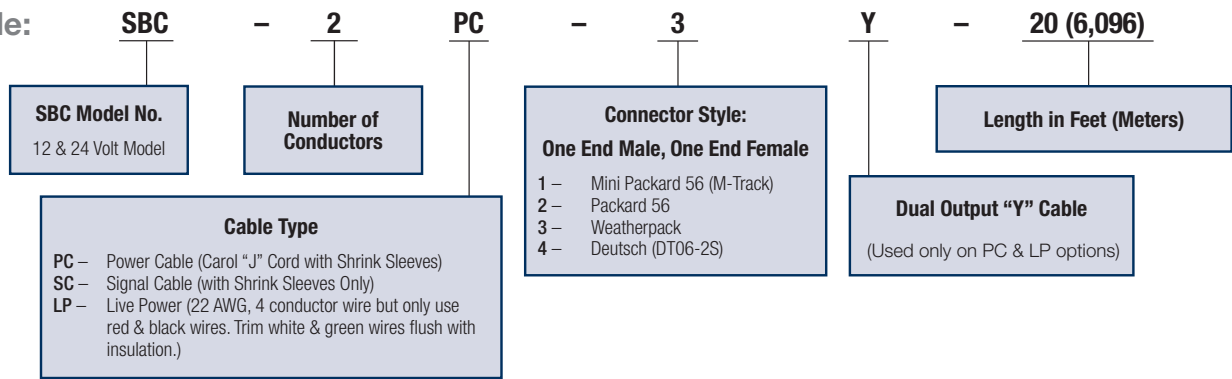


# M-Track Power Supply

## Extension Cable Part Number

Example:

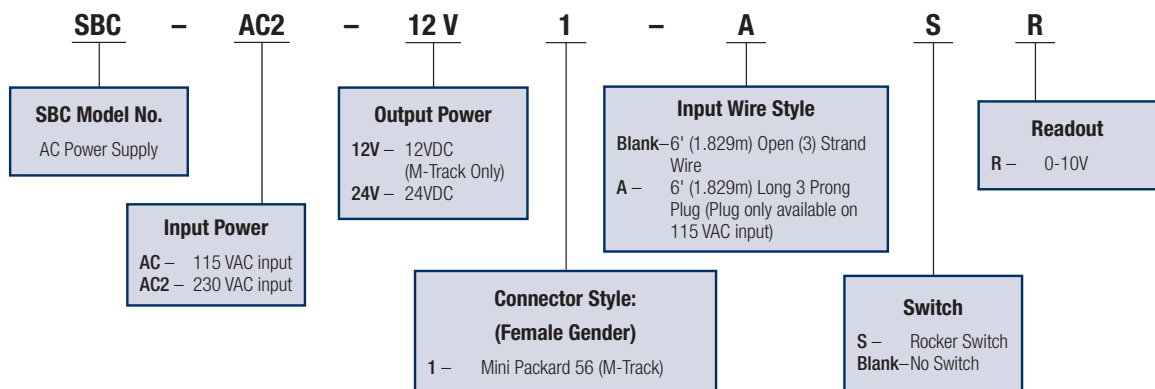


## SBC-AC Power Supply



- Input:** 85-264 volts AC
- Output:** 12 volts @ 5.4Amps  
24 volts @ 2.7Amps
- Input Cable:** Standard: 6ft. (1.829m) open end, tinned cable  
Optional: 6ft. (1.829m) with 115 VAC 3 prong plug
- Output Cable:** 1ft. (.30m) length cable with 2-pin Packard 56 (for M-Track 1)  
Optional extension cables can be ordered in 5-25ft. (1.524-7.62m) lengths
- Enclosure:** 4.72" x 4.72" x 3.15" (119.89mm L x 119.89mm W x 80.01mm H)  
polycarbonate housing NEMA 4, 4x, 12, 13
- Operating Temperature:** -30° F to 140° F (-34° C to 60° C)
- Ratings:** CE, TUV, UL/cUL Conducted EMI meets EN55022 and ROHS
- Protection:** External fuse provided
- Switching:** No switch or DPDT momentary switch

Example:

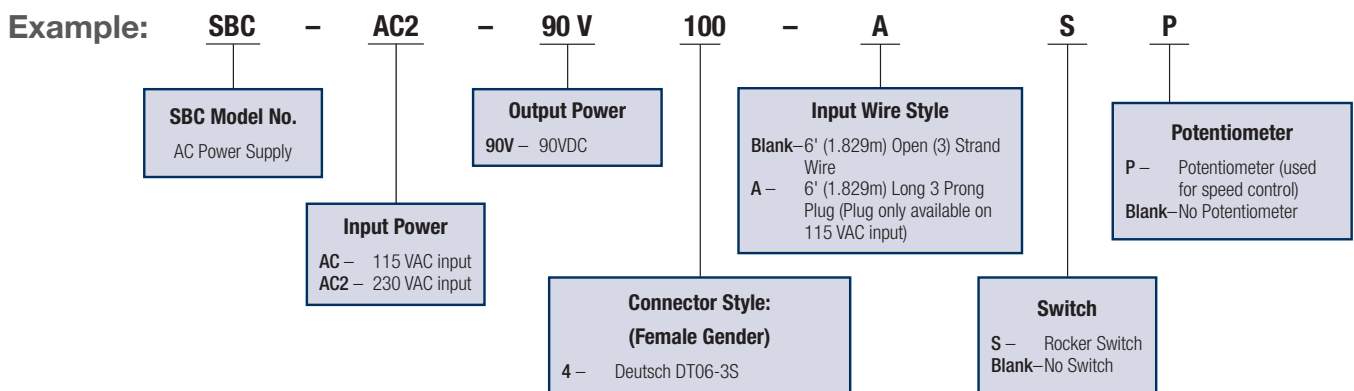


## K2/K2x Power Supplies

### SBC-AC/SBC-AC2 Power Supply 90 volt output



- Input:** AC: 115 volt AC  
AC2: 230 volt AC
- Output:** 90 volts DC @ 5 Amps
- Input Cable:** Standard: 6 ft. (1.829m) open end, tinned cable  
Optional for 115 AC 6 ft. (1.829m) with 115 VAC 3 prong plug
- Output Cable:** 1 ft. (.30m) cable with 3-pin Deutsch connector  
Optional extension cables can be ordered in 5-25 ft. (1.524-7.62m) lengths
- Enclosure:** 4.72"L x 4.72"W x 3.15"H (119.89mm L x 119.89mm W x 80.01mm H) polycarbonate housing NEMA 4, 4x, 12, 13
- Fusing:** External fuse mounted on enclosure for easy replacement
- Switching:** DPDT momentary rocker switch for manual actuator control or Customer may supply their own switch
- Potentiometer:** Optional speed pot allows for output voltage adjustment (varies actuator speed)



## K2/K2x Power Supplies

### SBC-AC/SBC-AC2 Power Supply 24 volt output



**Input:** AC: 115 volt AC  
AC2: 230 volt AC

**Output:** 24 volts @ 12 Amps

**Input Cable:** Standard: 6 ft. (1.829m) open end, tinned cable  
Optional for 115 AC 6 ft. (1.829m) with 115 VAC 3 prong plug

**Output Cable:** Standard 1 ft. (.30m) cable: specify connector to match actuator:  
1. Mini Packard standard for M-Track actuators  
2. Packard 56 standard on K2 and K2x model actuators  
3. Packard WeatherPack optional on K2 and K2x model actuators  
4. Deutsch DT06-2S optional on K2 and K2x model actuators  
5. Optional extension output cables can be ordered in 5-25 ft. (1.524-7.62m) lengths

**Enclosure:** 6.69"L x 6.69"W x 3.54"H (169.93mm L x 169.93mm W x 89.916mm H) polycarbonate housing NEMA 4, 4x, 12, 13

**Fusing:** External fuse mounted on enclosure for easy replacement

**Switching:** DPDT momentary rocker switch for manual actuator control or Customer may supply their own switch

**Live Power Option:** When used with BTc control options (limit switch, potentiometer feedback) the Live Power option is required. Live power option provides a constant output power source for external control components regardless of output power to the actuator. (See Extension Cable selection to select the correct cable for this option.)

#### Example:

